

SOFT EDGE 10

DESIGN BY ISKOS-BERLIN



Made possible by exploring innovative developments in moulded plywood techniques, Iskos-Berlin's Soft Edge chair blends strong curves with extreme lightness to create a three-dimensionality that is not normally possible with 2D plywood. The ultra-thin, soft-formed back and seat are free of sharp edges, embracing the body and providing human-centric comfort for constant movement. The chair features a steel tube frame with light, stackable qualities, making it suitable for a wide range of public and private environments – from classrooms and cafés to the home.

PRODUCT DETAILS

- / Part of a family of dining chairs, bar stools and stools with steel base or solid oak legs or polypropylene seat and back with steel base.
- / 3-dimensional form based on the latest developments in moulded plywood technique using ordinary plywood.
- / Variety of seat and base colours and finishes.
- / Suitable for a wide variety of private and public environments.
- / Qualified for contract use.
- / Available with seat upholstery in selected fabrics and leathers.
- / Stackable up to 10 pcs. without upholstery.
- / Stackable up to 6 pcs. with upholstery.

HAY

MATERIAL

SEAT AND BACK / Moulded plywood seat and back.
Top veneer in oak.

SEAT W. UPHOLSTERY / 10 mm PU foam.

BASE / Ø16 mm steel tube.

COLOUR & FINISH

Please note that the colour codes are indicative.

SEAT AND BACK / Available in 8 different seat and back finishes.

- / Black water-based lacquered oak (RAL 9005)
- / Soft black water-based lacquered oak (RAL 9004)
- / Hunter water-based lacquered oak (NCS S 8010 B90G)
- / Dusty green water-based lacquered oak (NCS S 6005 G20Y)
- / Fall red water-based lacquered oak (NCS S 6030 R)
- / Soft grey water-based lacquered oak (NCS S 3500 N)
- / Water-based lacquered oak
- / Smoked water-based lacquered oak

BASE / Available in 4 different base finishes.

- / Black powder coated steel (RAL 9005)
- / Soft grey powder coated steel (NCS 3500N)
- / Fall red powder coated steel (NCS 6030-R)
- / Chromed steel

COMBINATIONS

SEAT AND BACK \ BASE	BASE			
	BLACK	SOFT GREY	FALL RED	CHROMED
BLACK	•			•
SOFT BLACK	•			•
HUNTER	•			•
DUSTY GREEN	•			•
FALL RED	•		•	•
SOFT GREY	•	•		•
WATER-BASED LACQUERED	•	•	•	•
SMOKED LACQUERED	•			•

SEAT & BACK FINISH



BASE FINISH



SOFT EDGE 10 W. SEAT UPHOLSTERY

Available in a large selection of standard EU-Ecolabelled fabrics.

KVADRAT

- / Atlas
- / Remix
- / Surface by HAY
- / Steelcut
- / Steelcut Trio
- / Melange Nap
- / Divina
- / Divina MD
- / Divina Melange
- / Fiord
- / Re-wool
- / Canvas
- / Hallingdal
- / Lila
- / Raas
- / Vidar

CONSTRUCTION

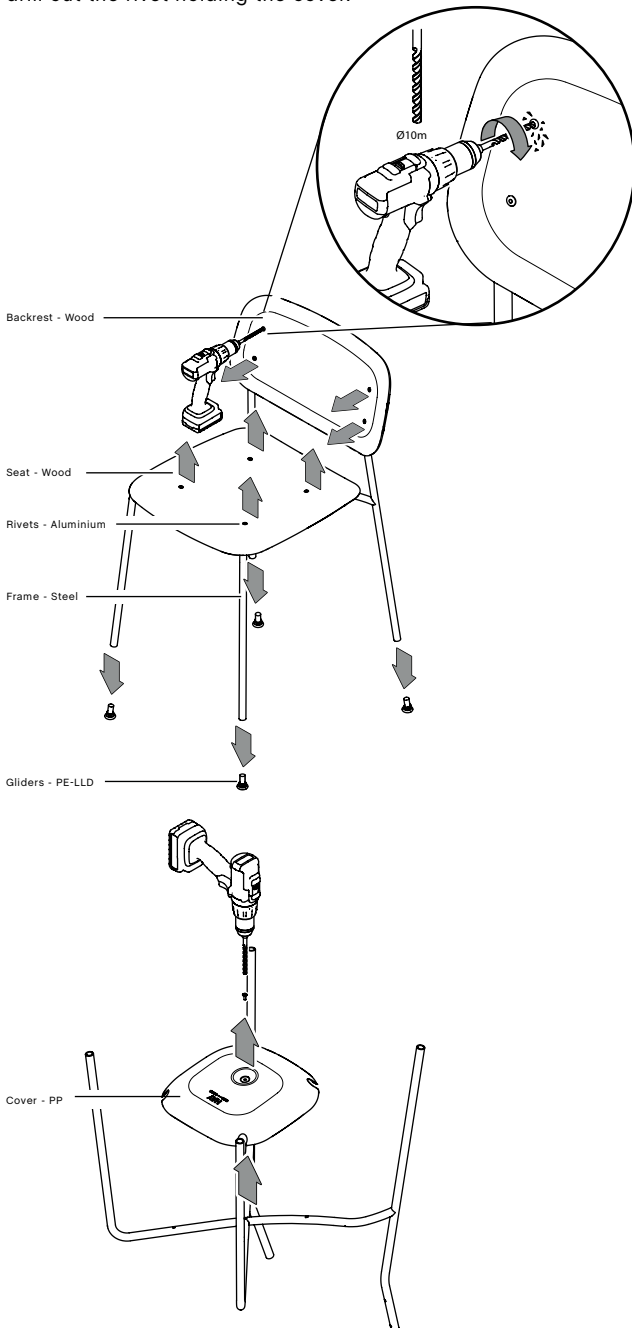
SEAT AND BACK / 2D moulded plywood seat and back mounted to the frame with rivets. Inner plywood in beech, top veneer in oak.

BASE / Ø16 mm steel tube. Stacking pad in polypropylene mounted underneath the seat.

RECYLING & DISASSEMBLY WITHOUT UPHOLSTERY

Soft Edge 10 is designed to be a long-lasting furniture made to last for many years. The chair is 100% recyclable and all parts can be fully separated and recycled. All parts can be delivered to a suitable recycling facility.

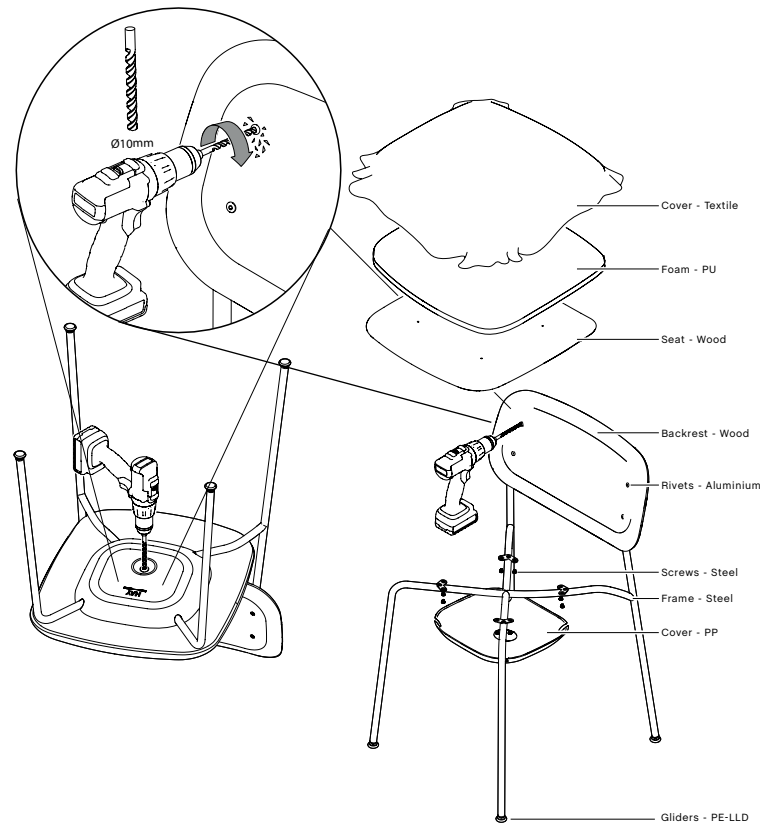
To disassemble the chair, use a power drill with at 10 mm drill bit to drill out the rivets holding the seat and backrest. Pull out the gliders from the legs. Then turn the chair upside down and drill out the rivet holding the cover.



RECYLING & DISASSEMBLY WITH UPHOLSTERY

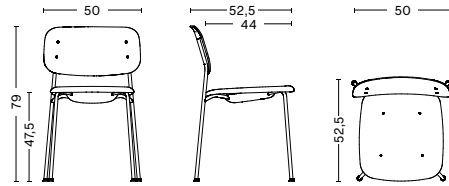
Soft Edge 10 is designed to be a long-lasting furniture made to last for many years. The chair is 100% recyclable and all parts can be fully separated and recycled. All parts can be delivered to a suitable recycling facility.

To disassemble the chair, use a power drill with at 10 mm drill bit to drill out the rivet holding the plastic cover underneath the seat. Then remove the screws holding the seats. Drill the rivets holding the backrest. Separate the textile cover and foam from the seat.



DIMENSIONS

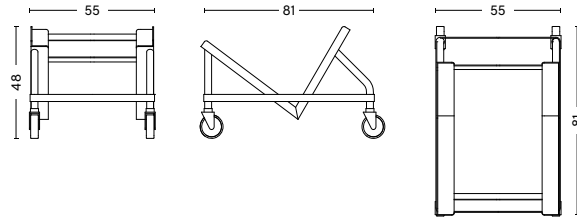
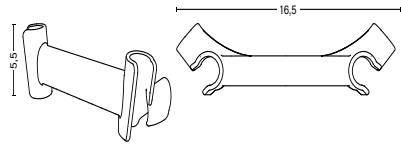
WIDTH / 50 cm / 19.68"
DEPTH / 52,5 cm / 20.66"
HEIGHT / 79 cm / 31.10"
SEAT HEIGHT / 47,5 cm / 18.70"
SEAT DEPTH / 44 cm / 17.32"



OPTIONS

LINKING DEVICE / Black plastic. Please note, the linking device is not premounted to the frame.

SOFT EDGE CHAIR TROLLEY / Black powder coated steel. Rear wheels with brake. Suitable for transportation and storage. Max. 20 stacked chairs and max. 6 upholstered chairs.



GLIDERS

PLASTIC TRUMPET GLIDER / Standard on all. Suitable for most floorings which are not too sensitive.

FELT TRUMPET GLIDER / For wooden floors.

TESTS

EN 16139:2013 / Furniture - Strength, durability and safety - Requirements for non-domestic seating.

L2: Extreme use - Loading according to Test severity L2.

ANSI BIFMA X5.4-2012 / American National Standard For Office Furnishings - Lounge and Public Seating - Tests.

CERTIFICATES



The EU-Ecolabel is the official European ecolabel.



Made from FSC™-certified and other controlled materials.

WARRANTY

HAY provides a 5-year product warranty, which covers materials and workmanship on our furniture frame and upholstery. The warranty covers faults which were present at the time of purchase or which have occurred as a result of defects present at the time of purchase. The warranty period of 5 years is calculated from the date on the original invoice.

Spare parts are available throughout the 5 year warranty period.

CARE & MAINTENANCE

A general care guide with all materials is available at hay.com.

[Link to care and maintenance guideline.](#)

DOWNLOADS

Packshots and lifestyle photos, 2D / 3D files, care and maintenance, instructions, test certificates, product fact sheets, and product presentations are available in our Image Bank at hay.com.

[Link to downloads.](#)

HAY